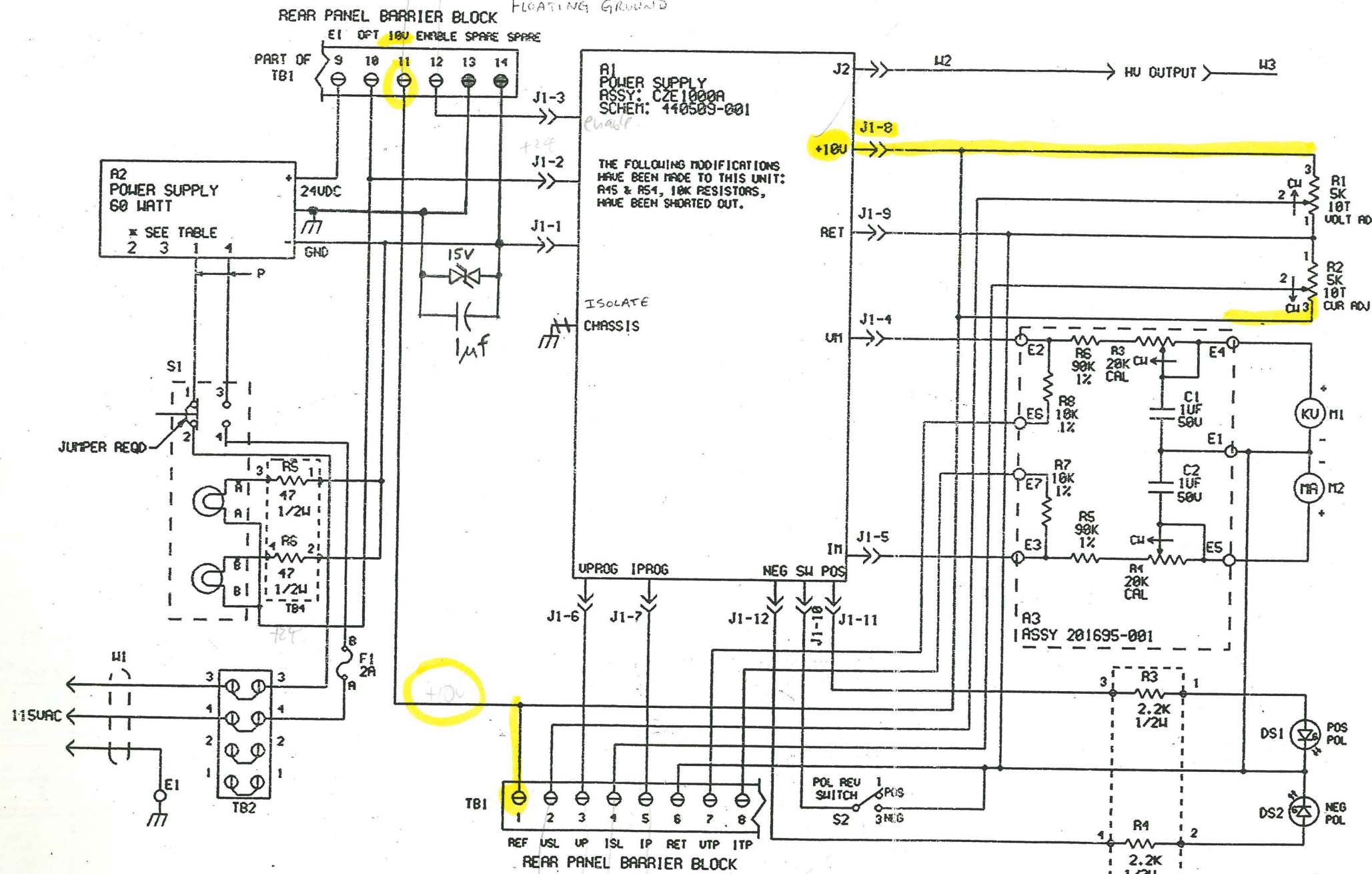


THIS INFORMATION CONTAINED HEREIN IS PROPRIETARY TO SPELLMAN HIGH VOLTAGE ELECTRONICS CORP. AND IS TO BE USED ONLY FOR THE PURPOSES INTENDED AND IS NOT TO BE REPRODUCED EITHER IN WHOLE OR PART WITHOUT THE EXPRESS WRITTEN PERMISSION OF SPELLMAN HIGH VOLTAGE ELECTRONICS CORP.

REVISIONS					
ZONE	TR	DESCRIPTION	DATE	APPROVED	MICRO
A		RELEASED PER EDR 2744			K.K.
B		EXTENSIVELY REVISED	3/26/91	H.L.	K.K.
C		REVISED PER ECN 5778		C.S.	K.K.
D		REVISED PER ECN 6252, BOM CHANGE R2 POWER SUPPLY WAS 30 WATT	1/02/92	P.M.	K.K.
E		REVISED PER ECN 6829	11/3/92	P.M.	K.K.
F1		REVISED PER ECN 7271	5/27/93	P.M.	K.K.
F2		REVISED PER ECN 7507	10/12/93	P.M.	KL, TS

PIN 13: CHASSIS
PIN 14: SYSTEM GROUND
PINS 13,14
FLOATING GROUND



NOTES:
1. UNIT SHIPPED WITH EXTERNAL JUMPERS ACROSS: TB1-2 TO -3, -4 TO -5, -9 TO -10, -11 TO -12.

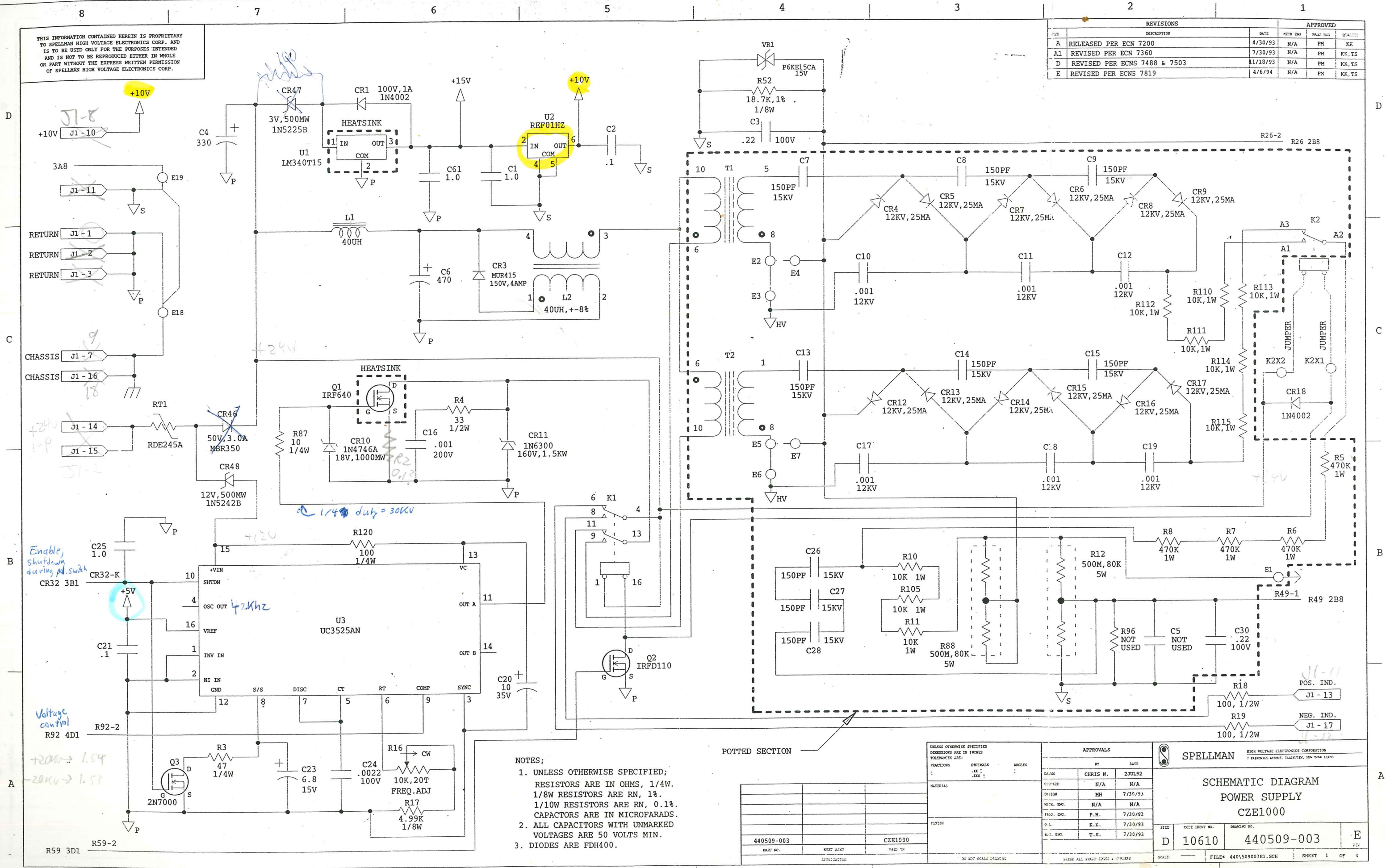
* INPUT VOLTAGE OPTION	
115 VAC	220 VAC
INPUT-1 3) JUMPER	INPUT-1 2) JUMPER
INPUT-4 2) JUMPER	INPUT-4 3) JUMPER

UNLESS OTHERWISE SPECIFIED DIMENSIONS ARE IN INCHES TOLERANCES ARE: FRACTIONS DECIMALS ANGLES ± .005 ± .002 ±			CONTRACT NO.		APPROVALS		DATE	
MATERIAL			DRAWN		BY		DATE	
FINISH			CHECKED		BY		DATE	
PART NO.			DESIGN		BY		DATE	
NEXT ASSY			PROJ. ENG.		BY		DATE	
USED ON			G.A.		BY		DATE	
APPLICATION			DO NOT SCALE DRAWING		BREAK ALL SHARP EDGES & CORNERS		SCALE: FILE #:	

SPELLMAN HIGH VOLTAGE ELECTRONICS CORPORATION 7 FAIRCHILD AVE., PLAINFIELD, NEW JERSEY 07060			
SCHEMATIC DIAGRAM POWER SUPPLY CZE1000R			
SIZE	CODE IDENT	DRAWING NO.	REV
D	10610	440433-001	E2

THIS INFORMATION CONTAINED HEREIN IS PROPRIETARY TO SPELLMAN HIGH VOLTAGE ELECTRONICS CORP. AND IS TO BE USED ONLY FOR THE PURPOSES INTENDED AND IS NOT TO BE REPRODUCED EITHER IN WHOLE OR PART WITHOUT THE EXPRESS WRITTEN PERMISSION OF SPELLMAN HIGH VOLTAGE ELECTRONICS CORP.

REVISIONS				APPROVED		
REV	DESCRIPTION	DATE	REV ENG	PREP ENG	CHK	QUALITY
A	RELEASED PER ECN 7200	4/30/93	N/A	PM	KK	KK
A1	REVISED PER ECN 7360	7/30/93	N/A	PM	KK, TS	KK, TS
D	REVISED PER ECNS 7488 & 7503	11/18/93	N/A	PM	KK, TS	KK, TS
E	REVISED PER ECNS 7819	4/6/94	N/A	PM	KK, TS	KK, TS



- NOTES:
1. UNLESS OTHERWISE SPECIFIED; RESISTORS ARE IN OHMS, 1/4W. 1/8W RESISTORS ARE RN, 1%. 1/10W RESISTORS ARE RN, 0.1%. CAPACTORS ARE IN MICROFARADS.
 2. ALL CAPACITORS WITH UNMARKED VOLTAGES ARE 50 VOLTS MIN.
 3. DIODES ARE FDH400.

APPROVALS		BY		DATE	
DESIGNED	CHRIS N.	23JUL92			
DRAWN	MH	7/30/93			
CHKD	N/A	N/A			
APP'D	P.M.	7/30/93			
REV. ENG.	E.K.	7/30/93			
REV. MGR.	T.S.	7/30/93			

UNLESS OTHERWISE SPECIFIED DIMENSIONS ARE IN INCHES UNLESS OTHERWISE SPECIFIED FRACTIONS DECIMALS ANGLES : : .XXX : : °

MATERIAL:

FINISH:

440509-003 CZE1000

SCALE: 100% (1:1)

FILE# 440509003E1.SCH SHEET 1 OF 4

SPPELLMAN HIGH VOLTAGE ELECTRONICS CORPORATION 7 PARKFIELD AVENUE, TRANSPORT, NEW YORK 11963

SCHEMATIC DIAGRAM POWER SUPPLY CZE1000

SIZE: D 10610 DRAWING NO.: 440509-003

Enable, shutdown during rd. switch CR32-K

Voltage control R92-2

20KV → 1.54

20KV → 1.53

1/4 duty = 30KV

7020

4.2KHz

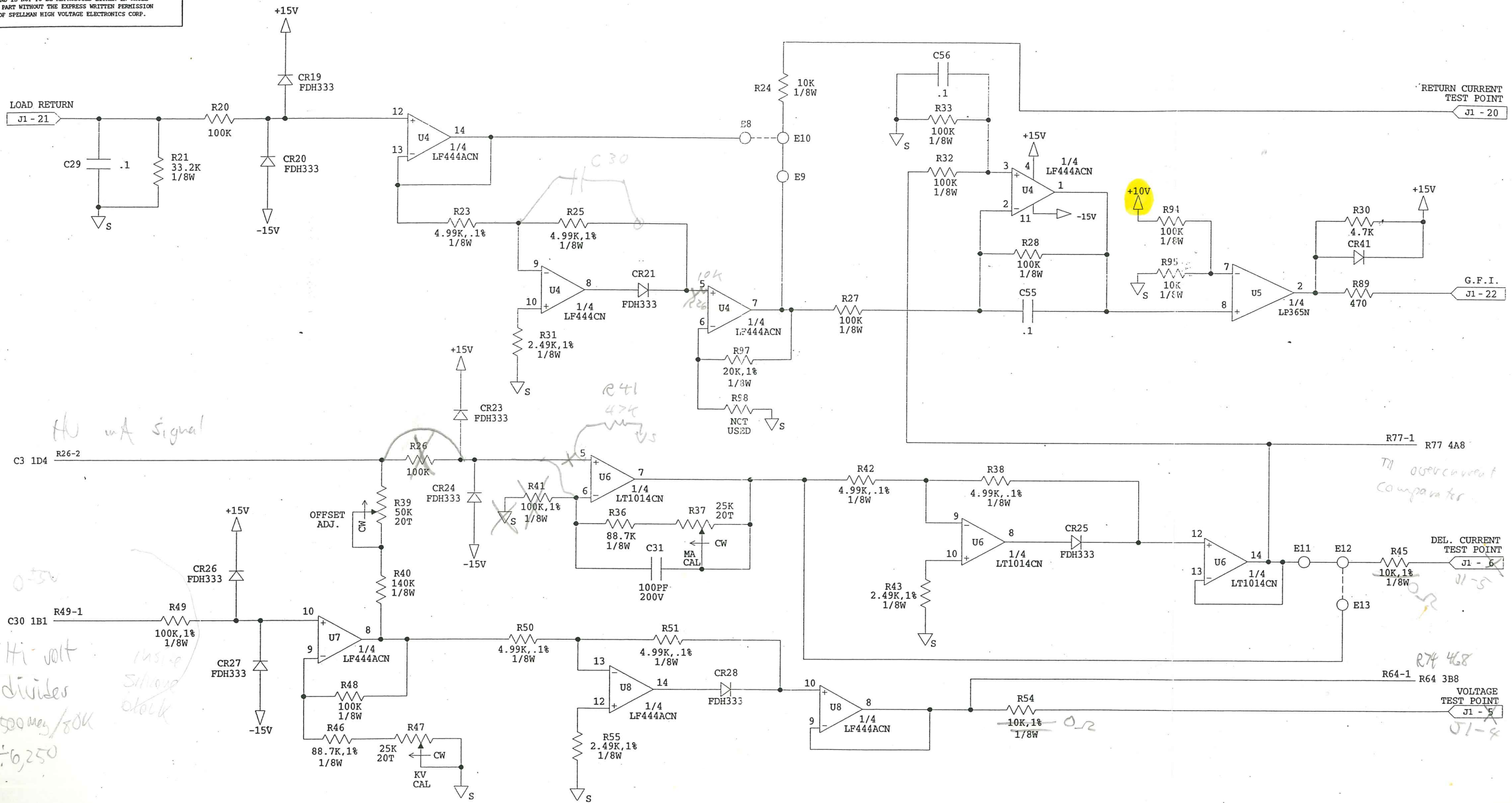
R59-2

POTTED SECTION

POS. IND. J1-13

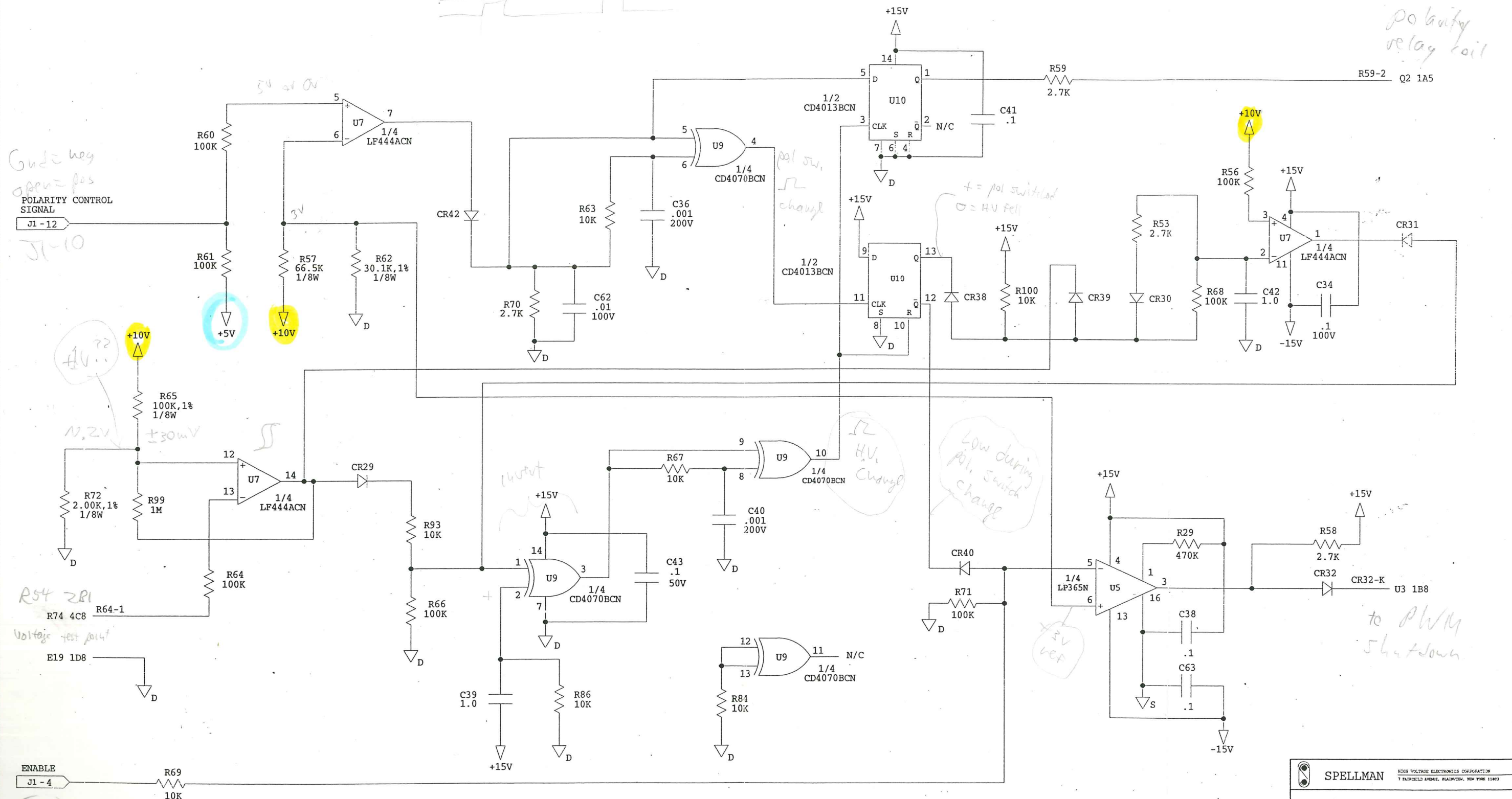
NEG. IND. J1-17

THIS INFORMATION CONTAINED HEREIN IS PROPRIETARY TO SPELLMAN HIGH VOLTAGE ELECTRONICS CORP. AND IS TO BE USED ONLY FOR THE PURPOSES INTENDED AND IS NOT TO BE REPRODUCED EITHER IN WHOLE OR PART WITHOUT THE EXPRESS WRITTEN PERMISSION OF SPELLMAN HIGH VOLTAGE ELECTRONICS CORP.



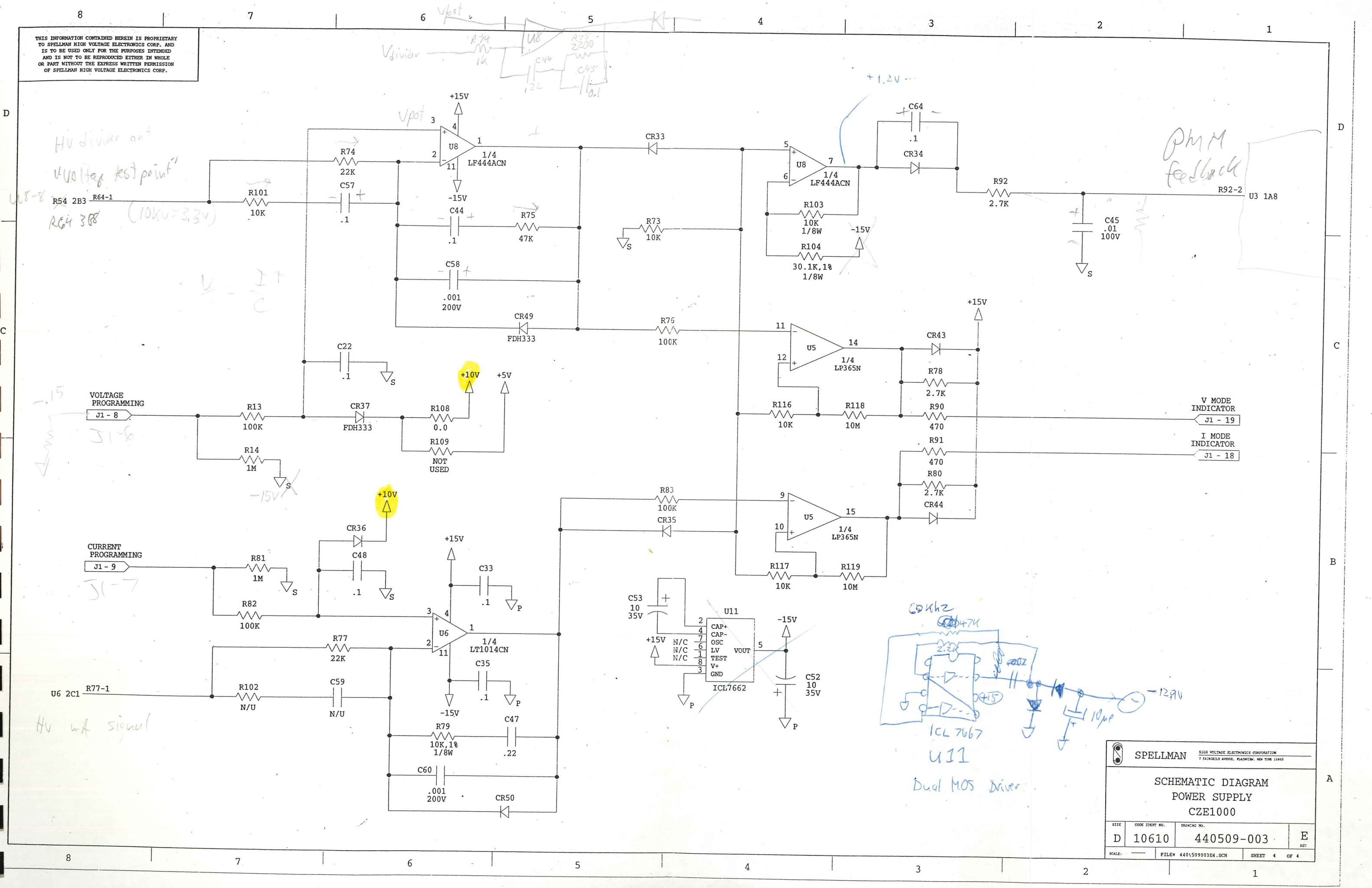
SPELLMAN HIGH VOLTAGE ELECTRONICS CORPORATION 7 FAIRFIELD AVENUE, PLAINFIELD, NEW JERSEY 07061			
SCHEMATIC DIAGRAM POWER SUPPLY CZE1000			
SIZE: D	CODE IDENT NO.: 10610	DRAWING NO.: 440509-003	REV: E
SCALE:	FILE# 440509003E2.SCH	SHEET 2 OF 4	

THIS INFORMATION CONTAINED HEREIN IS PROPRIETARY TO SPELTMAN HIGH VOLTAGE ELECTRONICS CORP. AND IS TO BE USED ONLY FOR THE PURPOSES INTENDED AND IS NOT TO BE REPRODUCED EITHER IN WHOLE OR PART WITHOUT THE EXPRESS WRITTEN PERMISSION OF SPELTMAN HIGH VOLTAGE ELECTRONICS CORP.



SPELLMAN HIGH VOLTAGE ELECTRONICS CORPORATION 7 PARKFIELD AVENUE, PLAINFIELD, NEW YORK 11803	
SCHEMATIC DIAGRAM POWER SUPPLY CZE1000	
SIZE: D CODE IDENT NO.: 10610 SCALE:	DRAWING NO.: 440509-003 FILE# 440\509003E3.SCH SHEET 3 OF 4
E	REV

THIS INFORMATION CONTAINED HEREIN IS PROPRIETARY TO SPELLMAN HIGH VOLTAGE ELECTRONICS CORP. AND IS TO BE USED ONLY FOR THE PURPOSES INTENDED AND IS NOT TO BE REPRODUCED EITHER IN WHOLE OR PART WITHOUT THE EXPRESS WRITTEN PERMISSION OF SPELLMAN HIGH VOLTAGE ELECTRONICS CORP.



SPELLMAN HIGH VOLTAGE ELECTRONICS CORPORATION 7 FAIRFIELD AVENUE, PLAINFIELD, NEW JERSEY 07063	
SCHEMATIC DIAGRAM POWER SUPPLY CZE1000	
SIZE: D CODE IDENT NO.: 10610 SCALE:	DRAWING NO.: 440509-003 FILE# 440509003E4.SCH SHEET 4 OF 4
REV: E	